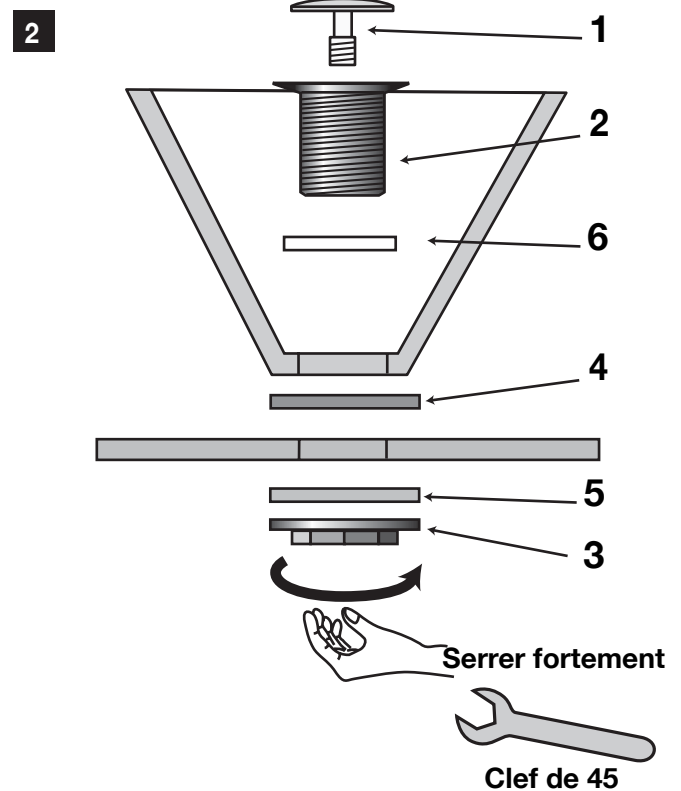
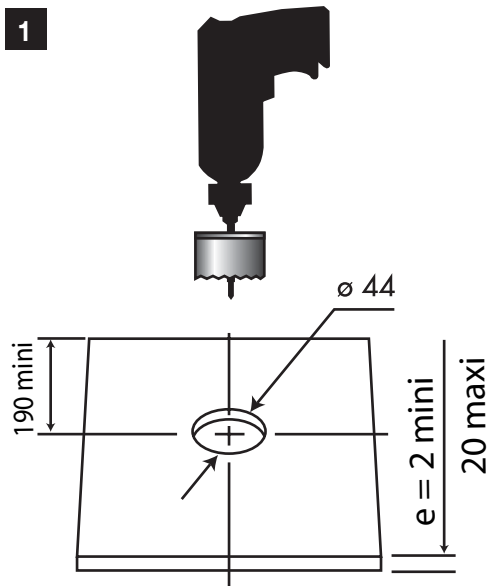


	REP 1	X 1
	REP 2	X 1
	REP 3	X 1
	REP 4	X 1
	REP 5	X 1
	REP 6	X 1

Sachet d'accessoires  
sous la cale d'emballage



**DECOTEC**  
PARIS